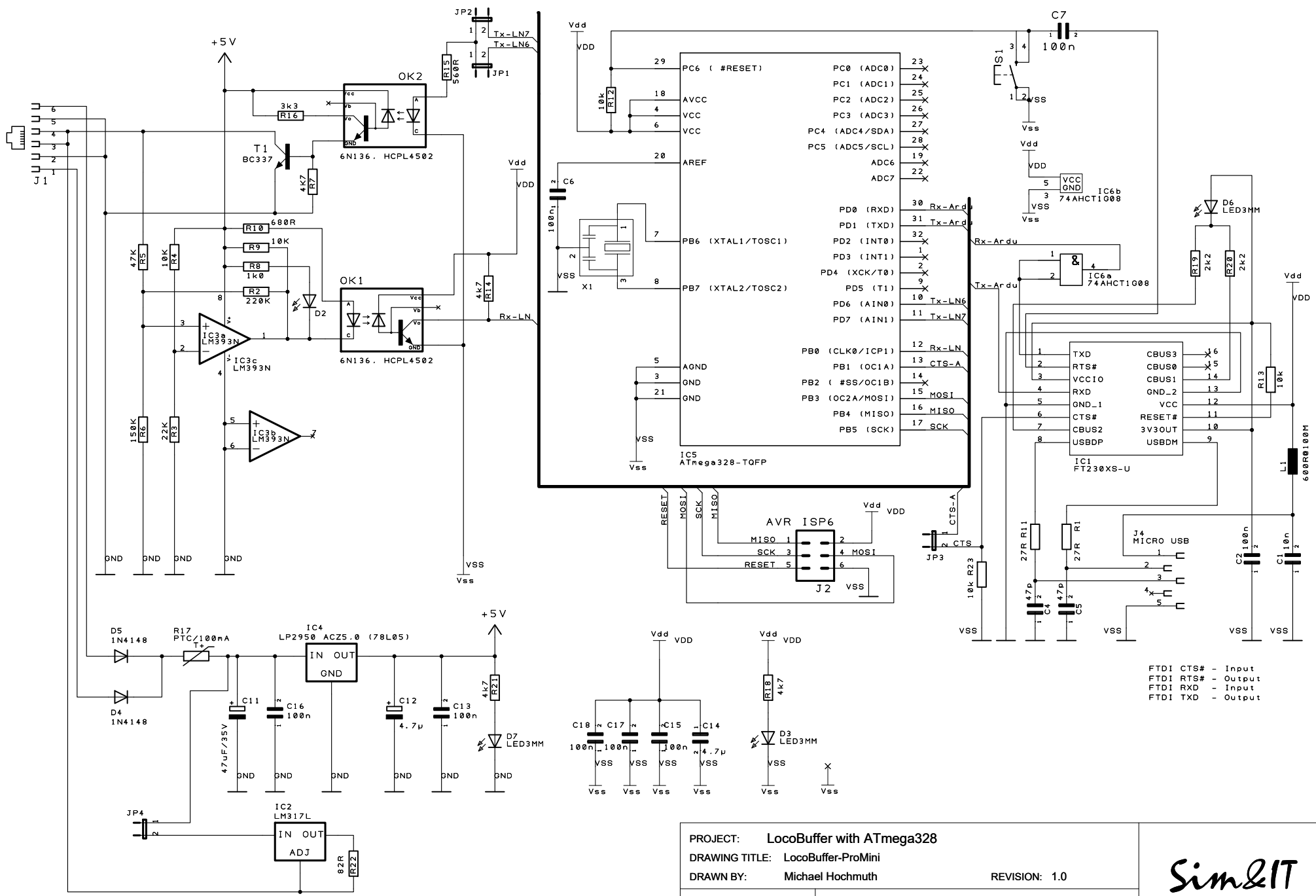


1

2

3

4



PROJECT: LocoBuffer with ATmega328		<i>Sim&IT</i>
DRAWING TITLE: LocoBuffer-ProMini		
DRAWN BY: Michael Hochmuth	REVISION: 1.0	
SHEET: OF	STATUS:	
DATE: 11.09.2024		