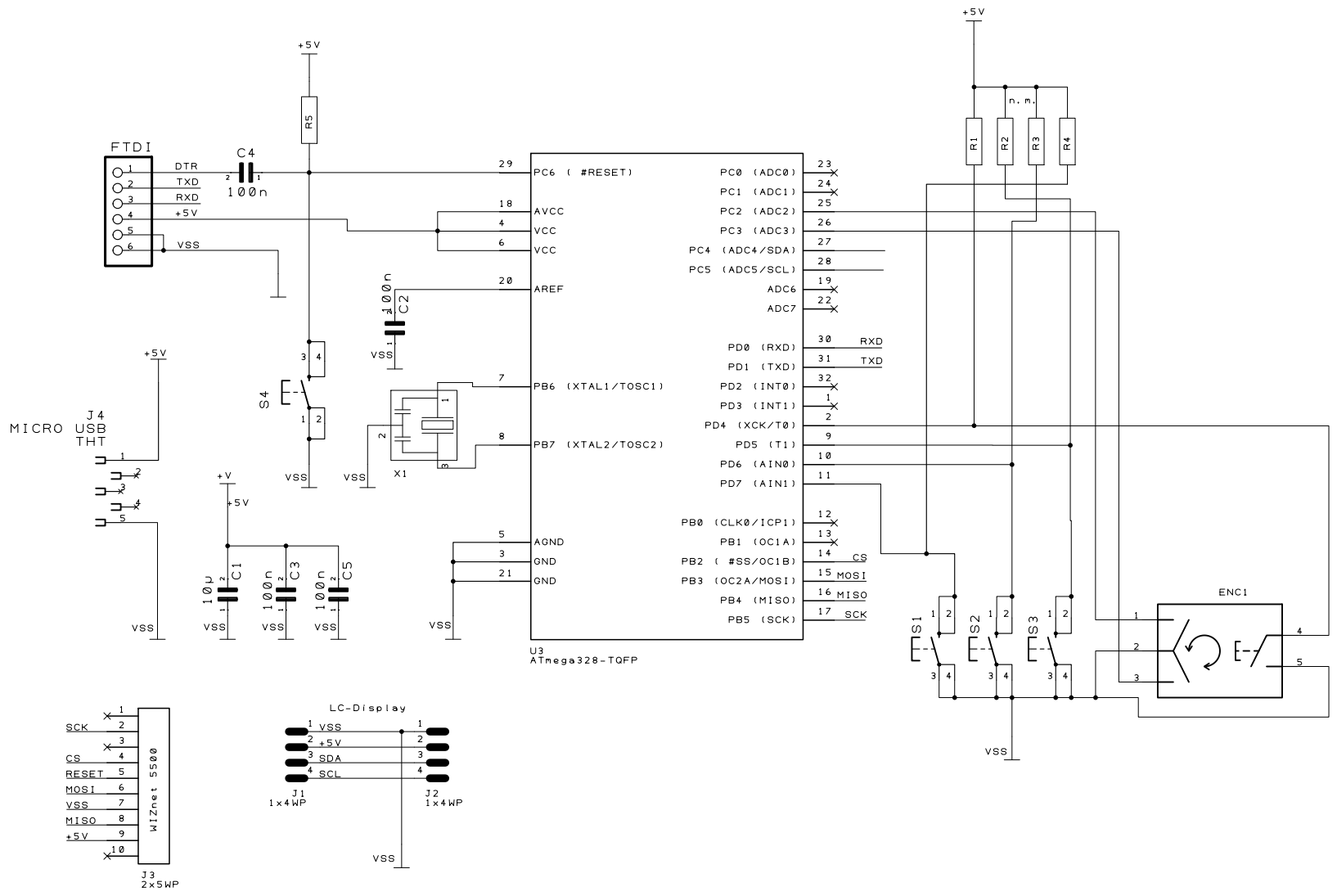


1

2

3

4



<b>PROJECT:</b> Arduino Avionics Module for FlightSim		<i>Sim&amp;IT</i>
<b>DRAWING TITLE:</b> ARDU-FRQ_2.0 by Sim&IT		
<b>DRAWN BY:</b>	<b>REVISION:</b> 2. 1	
<b>SHEET:</b> OF	<b>STATUS:</b>	
<b>DATE:</b> 02. 03. 2020		