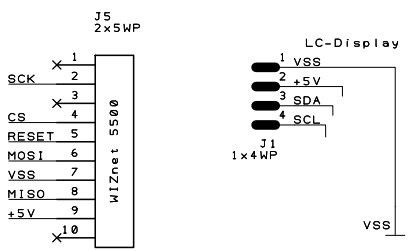
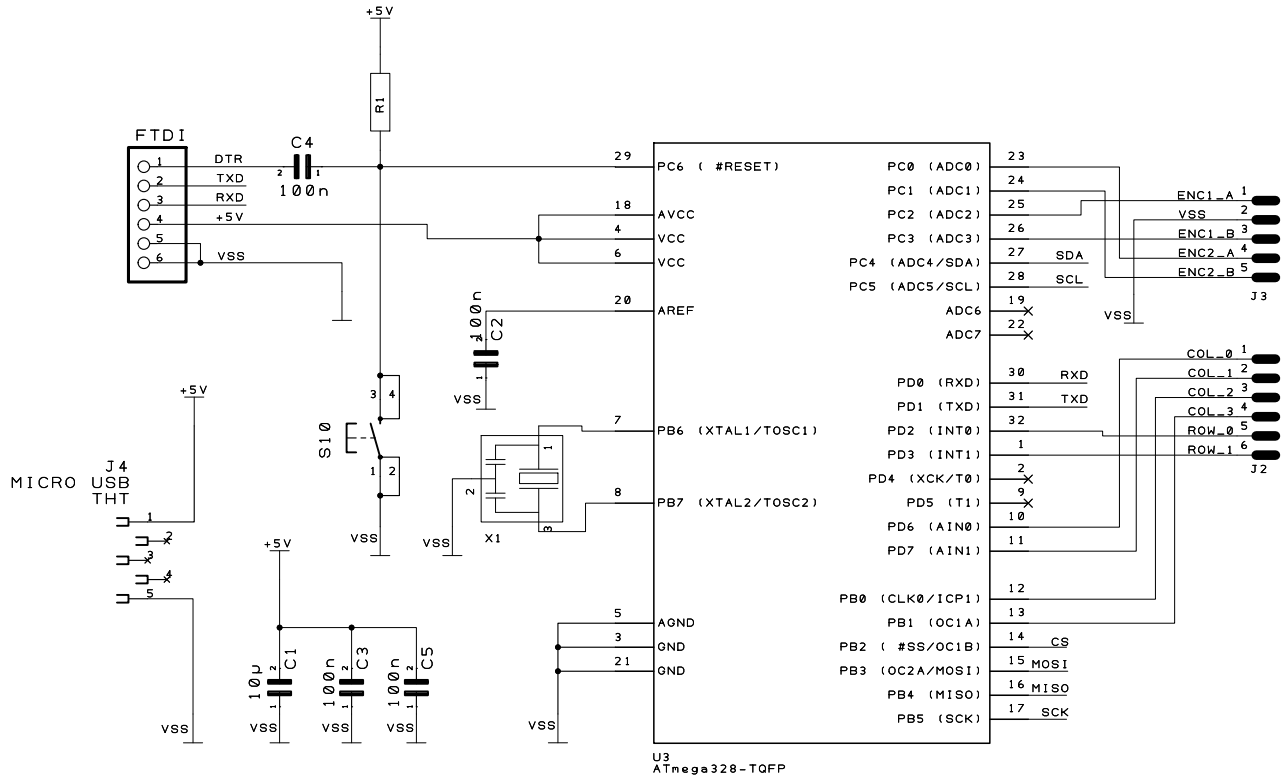


1

2

3

4



PROJECT: Arduino Pinheader		REVISION: 1. 0
DRAWING TITLE: ARDU-Pinheader		
DRAWN BY:		
SHEET: OF	STATUS:	
DATE: 20. 09. 2021		

Sim&IT