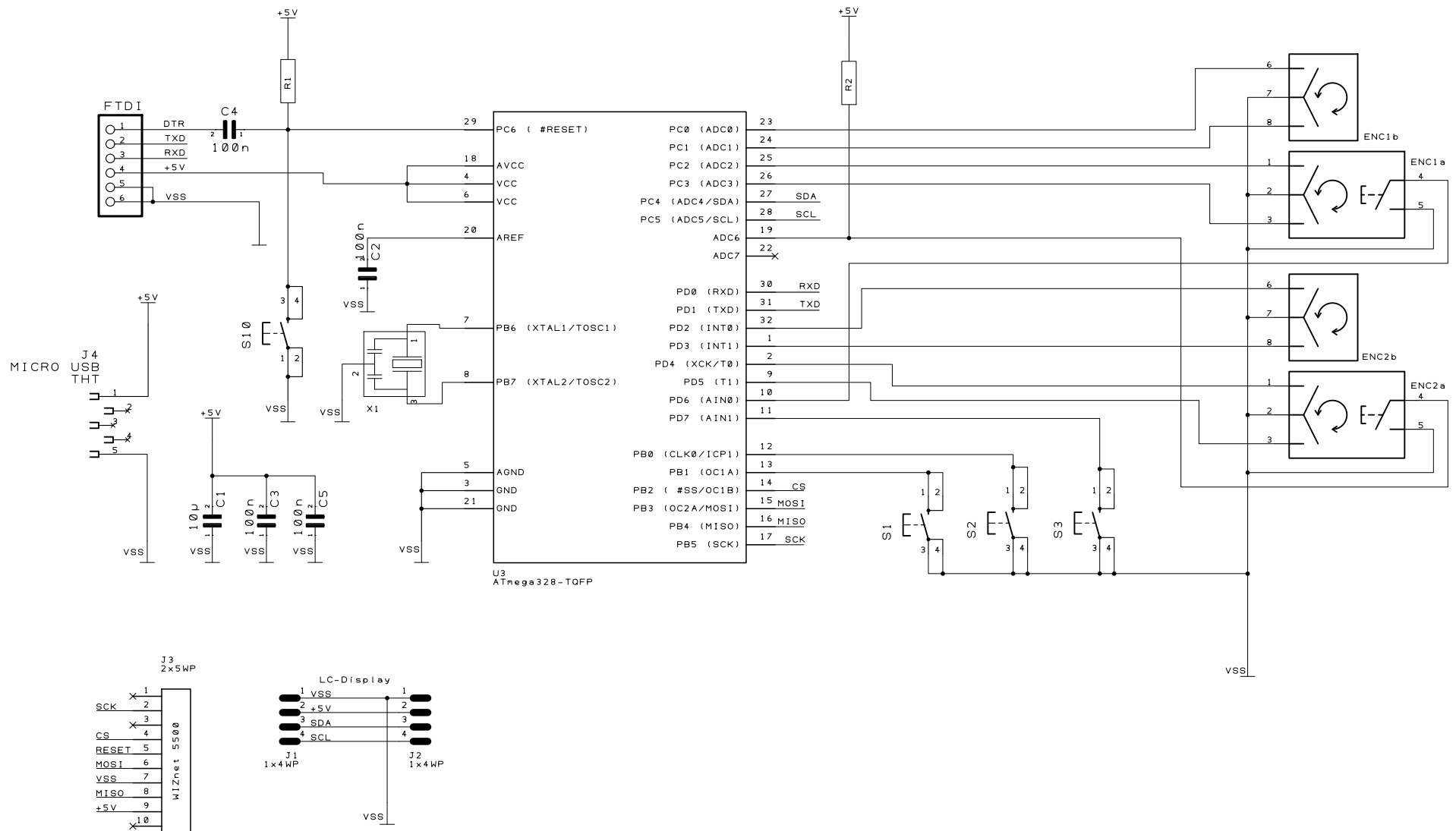


1

2

3

4



PROJECT: Arduino NAV-COMM-Panel for FlightSim	
DRAWING TITLE: ARDU-NAVCOM_DUAL by Sim&IT	
DRAWN BY:	
REVISION: 1. 0	
SHEET: OF	STATUS:
DATE: 16. 03. 2021	

